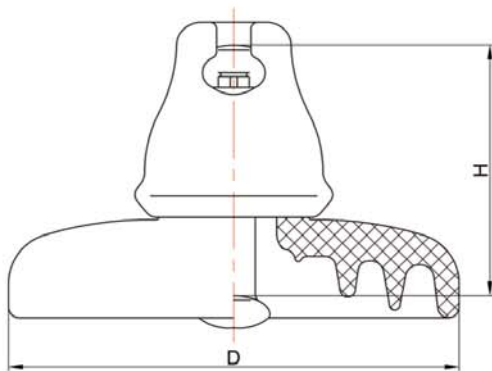


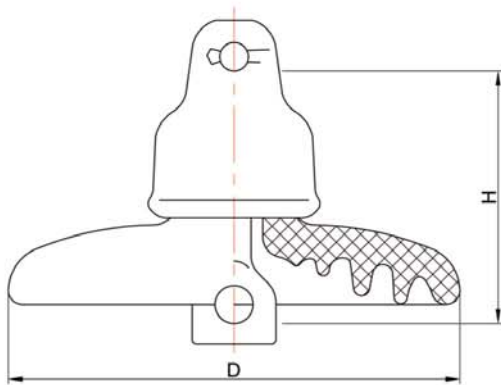
POWER SYSTEM



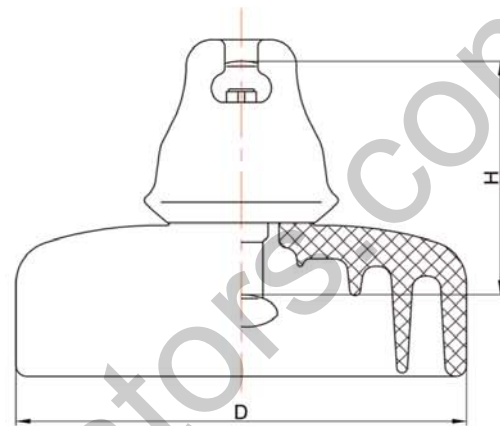
▪ FIG 1.1.1

1.1 Suspension insulators IEC Standard

Type	Unit	U70BL	U70C	U70BLP	U80BL	U80BLP	U100BL	U100BLP	U120B	U120BP	U125BS	
Figure No.		1.1.1	1.1.2	1.1.3	1.1.1	1.1.3	1.1.1	1.1.3	1.1.1	1.1.3	1.1.1	
Unit spacing "H"	mm	146	146	146	146	146	146	146	146	146	146	
Nominal diameter "D"	mm	255	255	255	255	255	280	255	255	320	255	
Nominal creepage distance	mm	295	295	432	295	432	340	432	295	555	295	
Coupling size		16	16C	16	16	16	16	16	16	16	20	
Routine tensile load	kN	35	35	35	40	40	50	50	60	60	62.5	
Rated E&M failing load	kN	70	70	70	80	80	100	100	120	120	125	
Impact strength	N.m	6	6	6	6	6	7	7	7	7	7	
Power frequency withstand voltage	Wet	kV	40	40	45	40	45	40	45	40	55	40
	Dry	kV	70	70	80	70	80	70	80	70	80	70
Dry lightning impulse withstand voltage	kV	100	100	120	100	120	100	120	100	135	100	
Puncture voltage	kV	110	110	120	110	120	100	120	110	130	110	
Radio interference voltage	Test voltage to ground	kV	10	10	10	10	10	10	10	10	10	
	Max. RIV at 1MHz	μ V	50	50	50	50	50	50	50	50	50	
Weight	kg	4.6	4.8	6.1	4.9	6.5	6.6	7.7	5.7	10.3	5.8	
Applicable standard		IEC60383										



▪ FIG 1.1.2



▪ FIG 1.1.3

1.1 Suspension insulators IEC Standard

U125BL	U160BM	U160BS	U160BL	U160BLP	U210B	U210BP	U240B	U240BP	U300B	U300BP	U400B	U400BP
1.1.1				1.1.3	1.1.1	1.1.3	1.1.1	1.1.3	1.1.1	1.1.3	1.1.1	1.1.3
178	155	146	170	170	170	170	170	170	195	195	205	205
292	255	255	280	320	280	300	280	330	320	320	340	400
356	305	320	405	550	335	450	405	550	370	485	545	635
20	20	20	20	20	20	20	24	24	24	24	28	28
62.5	80	80	80	80	105	105	120	120	150	150	200	200
125	160	160	160	160	210	210	240	240	300	300	400	400
7	10	10	10	10	10	10	10	10	10	10	10	10
40	40	40	40	55	40	45	45	55	45	45	55	60
70	70	70	70	90	70	80	75	90	75	80	75	90
100	100	100	100	135	105	130	110	135	110	130	140	150
110	110	110	110	130	120	130	120	130	120	130	130	130
10	10	10	10	10	10	10	10	10	10	10	10	10
50	50	50	50	50	50	50	50	50	50	50	50	50
8.0	7.4	7.8	9.1	12.0	10.2	12.6	11.1	15.2	13.2	15.2	19.7	23.5
IEC60383												